

4

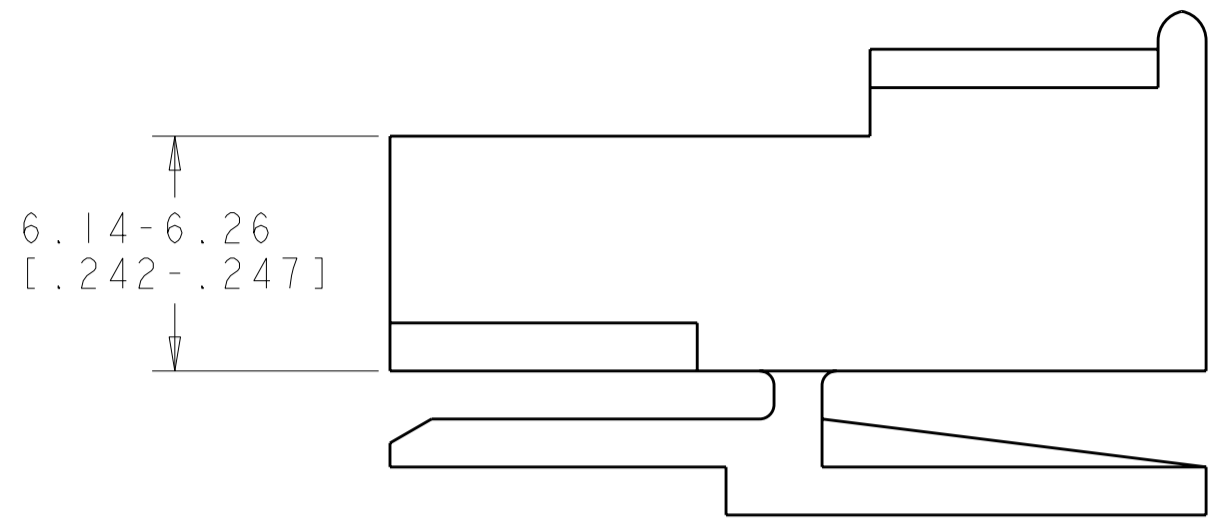
3

2

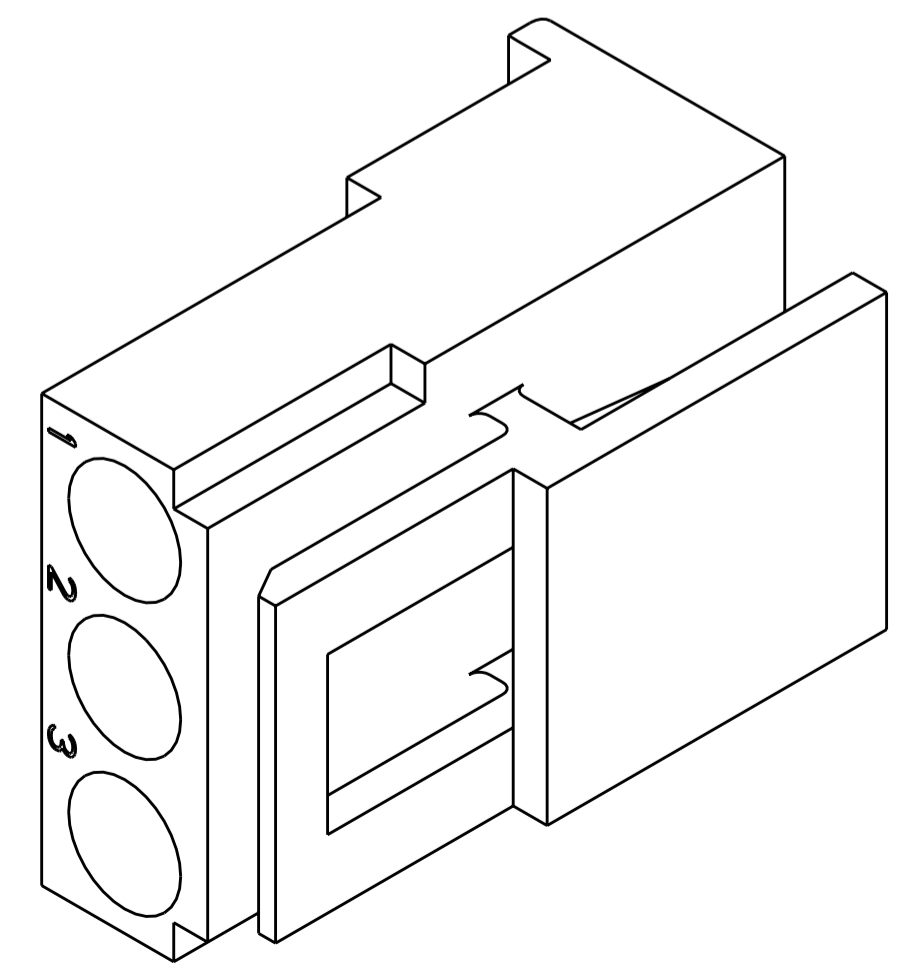
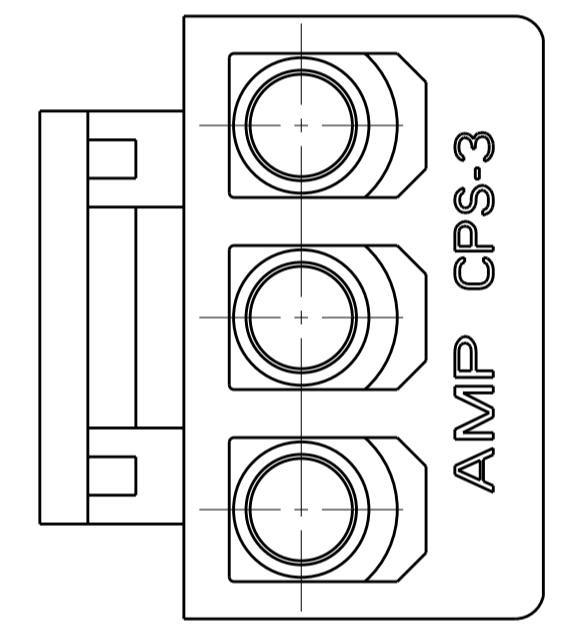
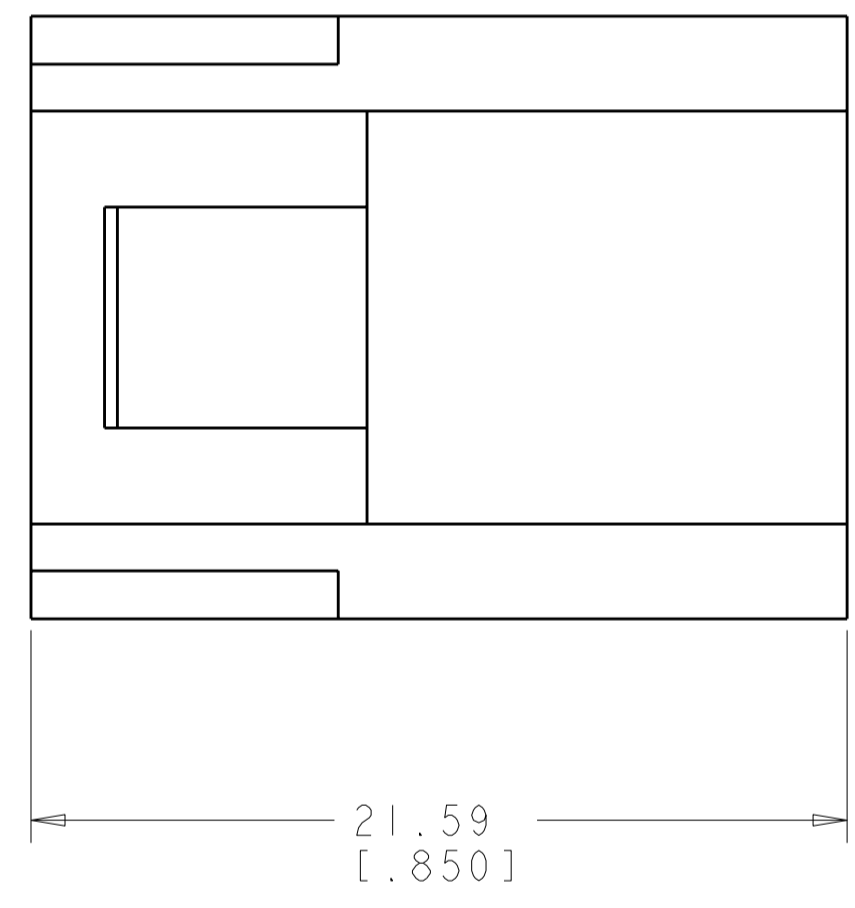
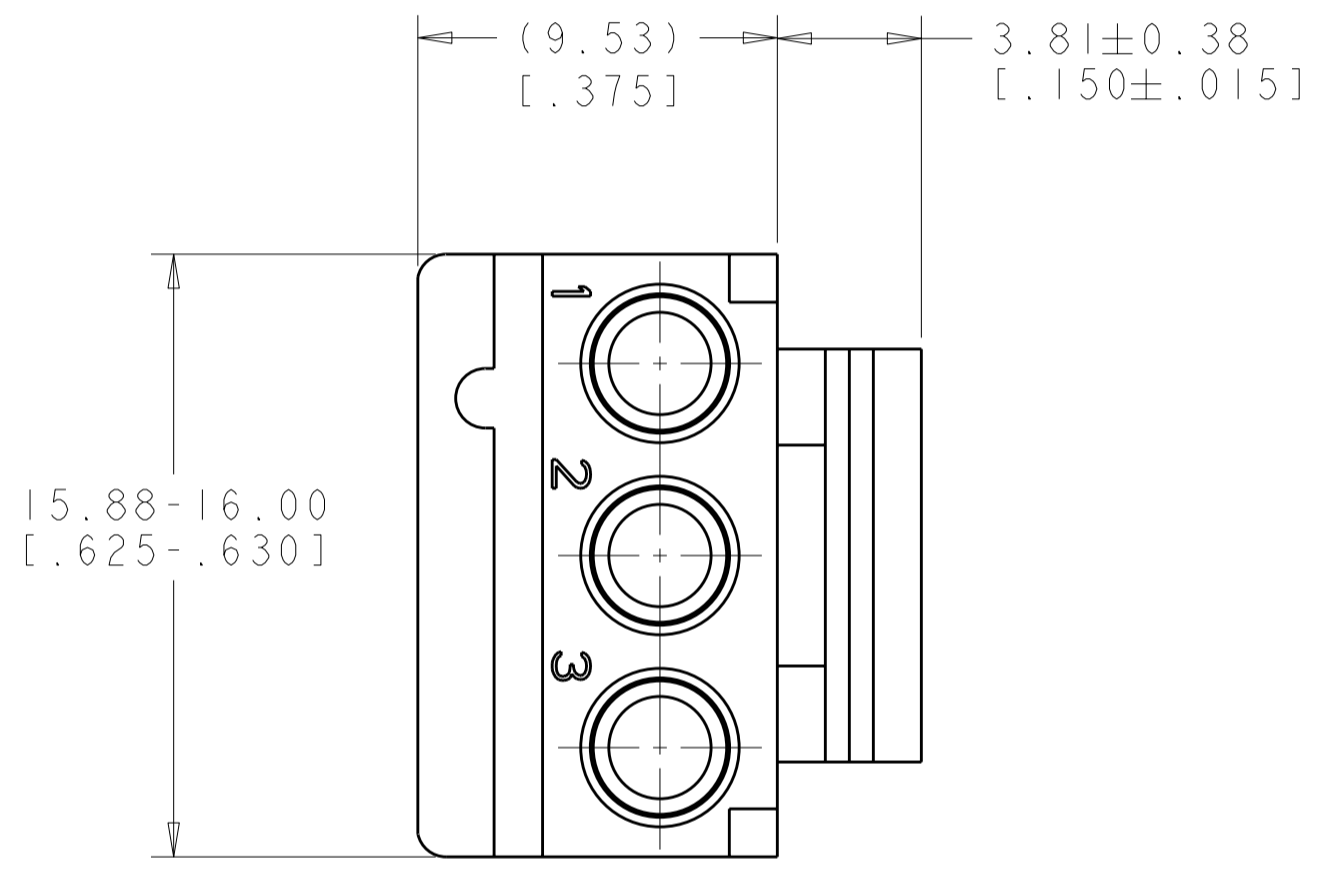
1

THIS DRAWING IS UNPUBLISHED. RELEASED FOR PUBLICATION 20
 © COPYRIGHT 20 BY TYCO ELECTRONICS CORPORATION. ALL RIGHTS RESERVED.

LOC	DIST	REVISIONS					
CM	00	P	LTR	DESCRIPTION	DATE	DWN	APVD
			E	ECO-08-007175	20MAR2008	KW	CC



1. MATES WITH HEADER 350541 OR 350542.
2. TO BE USED WITH COMMERCIAL MATE-N-LOK™ SOCKETS.



0.103 IN ³	1-480721-0
VOLUME	PART NUMBER

METRIC

THIS DRAWING IS A CONTROLLED DOCUMENT FOR TYCO ELECTRONICS CORPORATION. IT IS SUBJECT TO CHANGE AND THE CONTROLLING ENGINEERING ORGANIZATION SHOULD BE CONTACTED FOR THE LATEST REVISION.		DWN K. WHITAKER 27FEB2008	Tyco Electronics Harrisburg, PA 17105-3608	
DIMENSIONS: mm [INCHES]		CHK C. CASH 27FEB2008	NAME PLUG, 3 CIRCUIT, COMMERCIAL MATE-N-LOK(TM)	
TOLERANCES UNLESS OTHERWISE SPECIFIED: 0 PLC ±- 1 PLC ±- 2 PLC ±0.13 [.005] 3 PLC ±- 4 PLC ±- ANGLES ±0°30'		APVD C. CASH 27FEB2008	RESTRICTED TO	
MATERIAL NYLON, NATURAL		PRODUCT SPEC -	SIZE A200779	CAGE CODE C-480721
		APPLICATION SPEC -	DRAWING NO -	
		WEIGHT -	SCALE 5:1	
		CUSTOMER DRAWING	SHEET 1 OF 1 REV E	